

Open Frame 2 - Post NetShelter™ Rack Installation

AR200, AR201

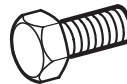
Inventory



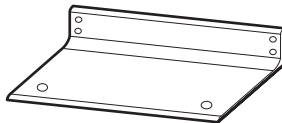
3 in. Vertical
Upright Rail (2)



1.5 x 1.5 in. Top
Angle Open Frame (2)



3/8-16 x 3/4 in.
Hex Head Bolt (12)



3.5 x 6 in. Bottom
Angle Open Frame (2)



3/8 in. Split Lock
Washer (12)



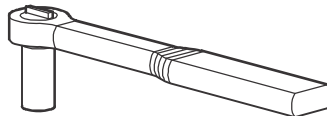
#12-24 Pan
Head Screw (24)

NOTE: The mounting hardware is enclosed in a separate bag, located inside one of the packaging inserts glued to the main carton.

Tools Required (not provided)



Crescent Wrench



Hex Socket Torque Wrench

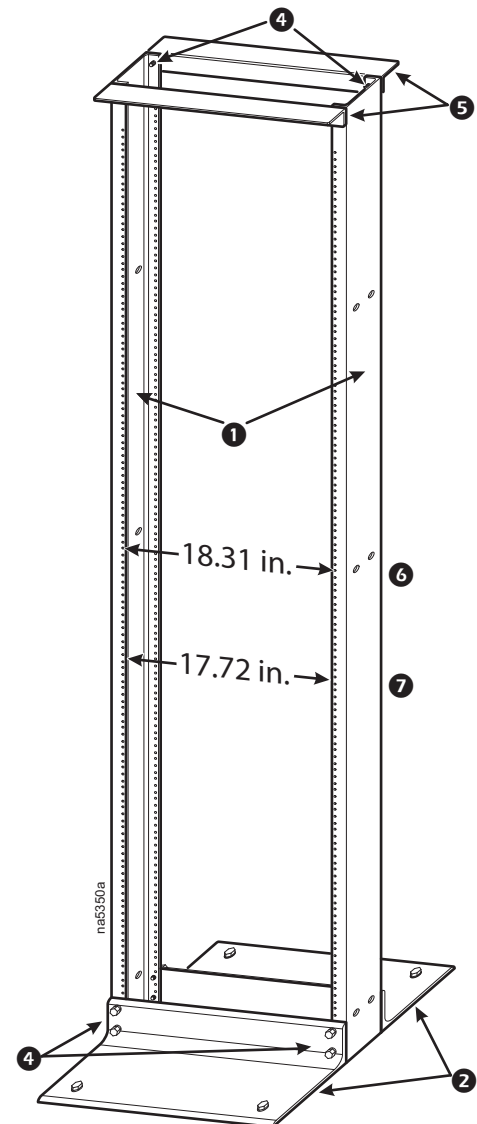
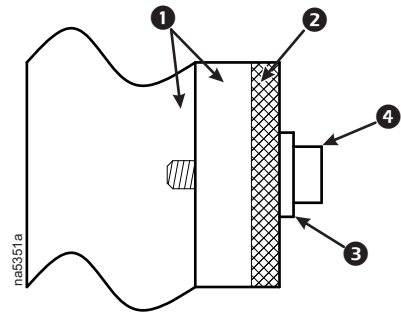
Installation

1. Place the Upright Rails **1** onto their narrow edge, approximately 20 in. apart. Orient the Upright Rails **1** so the flanges are facing inward (toward one another), and the wider flat faces are outward.
2. Place a Bottom Angle **2** onto the base of the Upright Rails **1** (two tapped 3/8 in. holes in the flange identify the base).
3. On the small face of the Bottom Angle **2**, align the 3/8 in. holes with the two 3/8 in. holes in each Upright Rail **1**.
4. Insert a 3/8 in. Split Lock Washer **3** followed by a Hex Head bolt **4** as shown above, into each holes and finger tighten.
5. Place a Top Angle **5** on the other side of the Upright Rails **1**.
6. Align the holes on the flange of the Top Angle **5** with the 3/8 in. tapped holes (1 on each side) of the Upright Rails **1**.
7. Insert a 3/8 in. Split Lock Washer **3** followed by a Hex Head bolt **4** (see step 4), through the Top Angle **5** and into each Upright Rail **1**, and finger tighten.
8. Turn the assembly over, and repeat steps 2 - 7 with the remaining Top Angle **5** and Bottom Angle **2**.
9. Tighten all screws, and using a Torque Wrench, torque the fasteners to 27 N•m (20 lb-ft).
10. Stand the rack upright and place it in the desired location.

Note: Secure the rack to the floor (rack stabilizing hardware not included).

Dimensions

- 6** Mounting Hole Width
- 7** Minimum Inside Equipment Clearance Width



NOTICE

- Do not over-torque fasteners.
- Do not install equipment unless the rack is stabilized and secured to the floor.